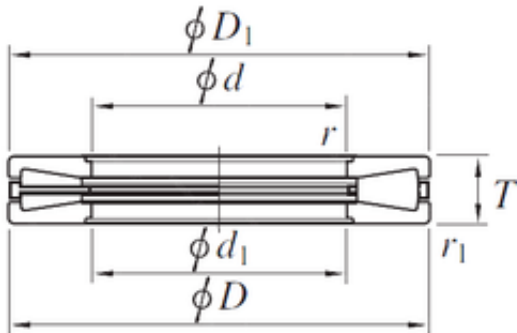




Cixi Kent Bearing Co., Ltd.

T16021 Tapered Roller Bearings



Bearing No. T16021

| | |
|-------------------------------|-----------------------|
| Size | 406.4x711.2x146.05 mm |
| Bore Diameter | 406.4 mm |
| Outer Diameter | 711.2 mm |
| Width | 146.05 mm |
| d | 406.4 mm |
| D | 711.2 mm |
| T | 146.05 mm |
| d1 | 406.4 mm |
| r1 min. | 9.7 mm |
| D1 | 711.2 mm |
| Weight | 256 Kg |
| Basic dynamic load rating (C) | 6 470 kN |

T16021 Bearing 2D drawings and 3D CAD models